

## Non-Rising Stem, Inside Bonnet, Solid Wedge Disc, Flange Type

### Construction Specification

- Size:** 2"-12"  
**Design Std:** DIN3352  
**Face to Face:** DIN3202 F4  
**Flange Drilling:** DIN2532 DIN2533 Etc  
 Other flange drilling special, is available on customers' request.

### Application Specification

Size (DN)	Pressure Rating (PN)	Hydro-Test Prssure		Suitable Medium
		Body	Seat	
40-200	16	2.4 Mpa	1.6 MPa	Water, Oil, Steam
40-300	10	1.5 MPa	1.0 MPa	



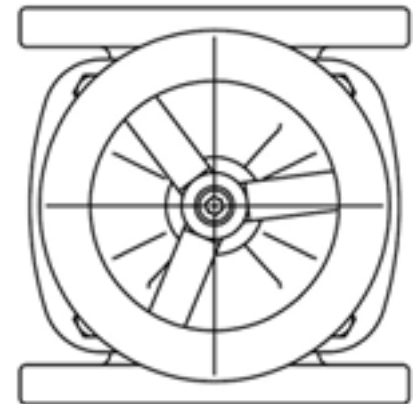
The valve is closed by turning the stem in clockwise direction. Underground installation set available on request. Gear Box Operator or Wrench Head is available on customers' Requirement.

Not recommended for Steam Service.

Caution: FREEZING WEATHER PRECAUTION - Subsequent to testing a piping system, gate valves should be left in an open position to allow complete drainage

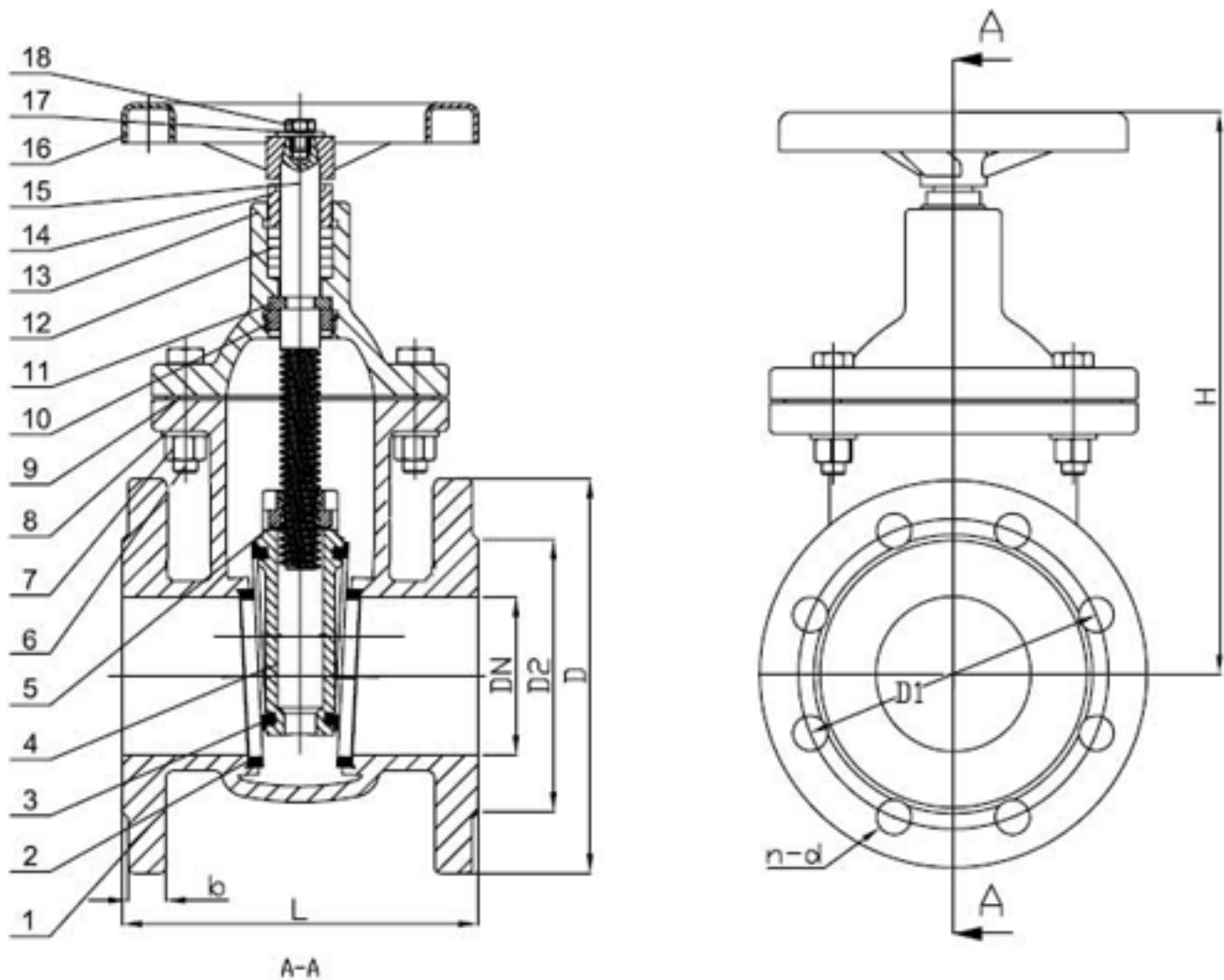
### Materials List

No	Part Name	Material	
1	Body	ASTM A126A(B)	GG20 GG25
2	Seat Ring	ASTM B36/B62,SS410	Brass,Bronze
3	Wedge Ring	ASTM B36	Brass
4	Wedge	ASTM A126A(B)	GG20 GG25
5	Wedge Nut	ASTM B36	Brass
6	Bolt	A216 WCB	GS-C25
7	Nut	A216 WCB	GS-C25
8	Washer	A216 WCB	GS-C25
9	Bonnet Gasket	Graphite	Graphite
10	Nut	ASTM B36	Brass
11	Half Ring	A216 WCB	GS-C25
12	Packing	Graphite	Graphite
13	Bonnet	ASTM A126A(B)	GG20 GG25
14	Gland	ASTM B36	Brass
15	Stem	SS410	X10Cr13
16	Handwheel	ASTM A126B	GG25
17	Washer	A216 WCB	GS-C25
18	Bolt	A216 WCB	GS-C25



**When** placing the order, please specify Working Pressure, Working Temperature, Flange Drilling Etc;

Fig.Z4514



**III** Dimensions List (Flange conform to DIN2532)

DN	D	D1	D2	L	H	b	n	d
50	165	125	102	150	250	17	4	18
65	185	145	122	170	265	17	4	18
80	200	160	138	180	300	19	4	18
100	220	180	158	190	350	19	8	18
125	250	210	188	200	410	21	8	18
150	285	240	212	210	450	21	8	23
200	340	295	268	230	550	23	8	23
250	395	350	320	250	650	25	12	23
300	445	400	370	270	710	25	12	23