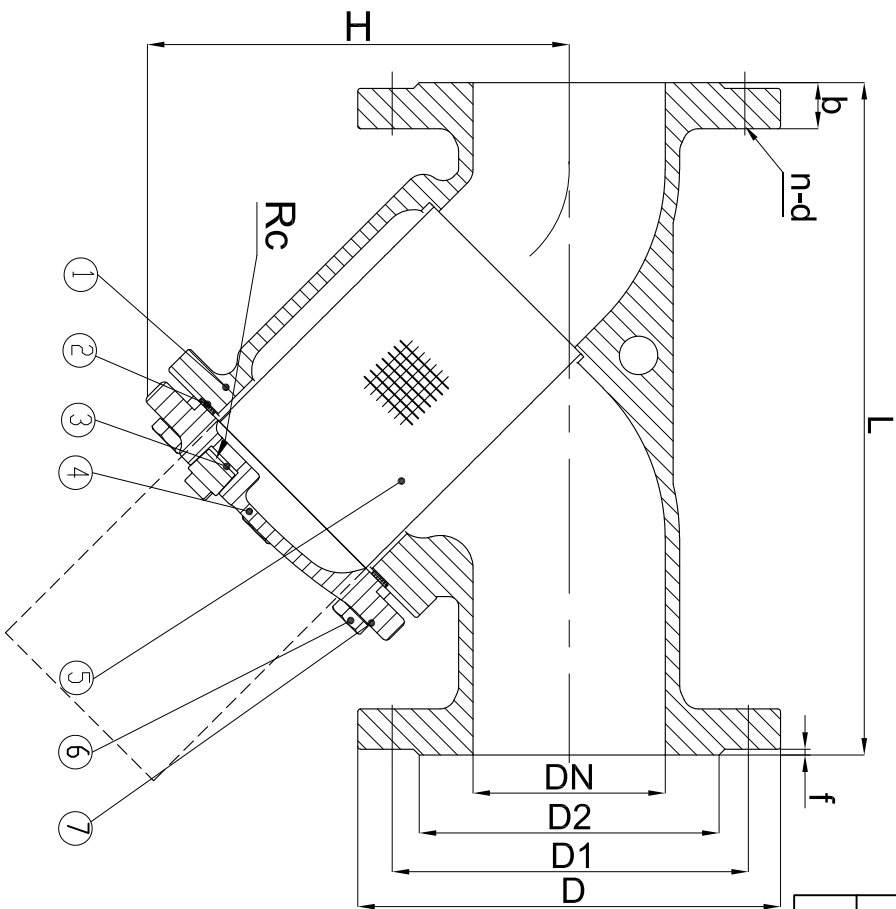
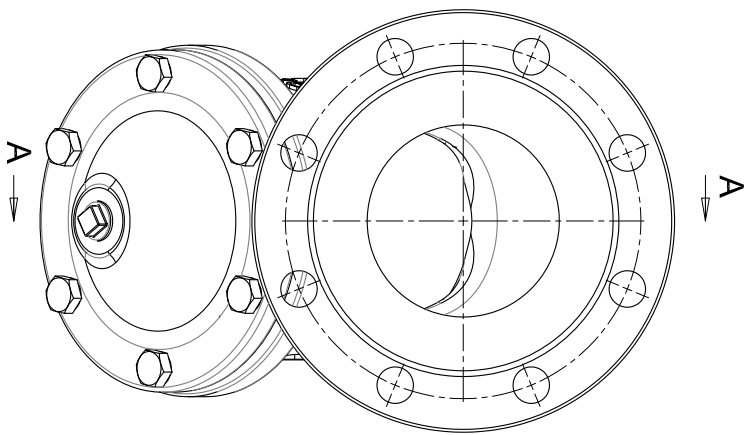


PRESSURE TEST			
DN	Pressure Rating (Bar)	Hydro-Test Pressure(Mpa)	
350~600	10	Body 1.5	
	16	2.4	



- 1.Face to face according to DIN 3202-F1
- 2.Flange drilling according to EN1092-2 PN10/16
- 3.Pressure test according to ISO5208.

Size	L	D	EN1092-2 PN10		EN1092-2 PN16		b	f	Rc	H(±5)			
			D1	n-d	D2	D1					n-d	D2	
NPS													
DN													
14	350	980	520	460	16-23	429	470	16-28	429	26.5	4	2"	606
16	400	1100	580	515	16-28	480	525	16-31	480	28	4	2"	692.3
18	450	1200	640	565	20-28	530	585	20-31	548	30	4	2"	756.6
20	500	1250	715	620	20-28	582	650	20-34	609	31.5	4	2"	873.3
24	600	1450	840	725	20-31	682	770	20-37	720	36	5	2"	1027.1

NO	Part Name	Material	q'ty	Option
7	Washer	Galvanized steel		
6	Bolt	Galvanized steel		
5	Screen	SS304		
4	Bonnet	Ductile Iron		
3	Plug	SS304		
2	Gasket	SS304+Graphite		
1	Body	Ductile Iron		
NO	Part Name	Material	q'ty	Option
DIN	wang			
CHK		SCALE		
APP		DATE	07/19/2024	
		MATERIAL	Y-Strainer	
			CS0002	

# Hiwa

REV 20240719A